



IM-2000 Ice Cube Machine

Models

- IM-2000-AC IM-2000-AH IM-2000-WC IM-2000-WH IM-2000-RC IM-2000-RH



ICETRO IM-2000 ice machine on a IB-085-48 bin

*Ice Machine and Bin sold separately

- Up to 2,032 lbs production capacity (70F/50F, 24 Hours)
- 304 stainless-steel exterior (durable & rust-resistant)
- Simple diagnostic panel to assist service & maintenance
- Cleaning switch for auto cleaning cycle
- Magnetic & cleanable condenser air filter
- Adjustable flush time to reduce scale & cleaning cost
- ABS antimicrobial interior to reduce slime & cleaning cost
- Water distributor tube & water sump removed w/o tools
- Heavy duty water curtain, pins & hangers for easy removal
- Hinged front doors for easy access
- Split front panel requires less space to access food zone
- Side panel screws easily removed from front of machine
- Louvers on both sides & top for optimal ventilation
- Improved evaporator section to reduce airborne bacteria
- R-410A refrigerant

Ice Types



Half Cube
3/8" x 1 1/8" x 7/8"
(.95 x 2.86 x 2.22 cm)



Cube
7/8" x 7/8" x 7/8"
(2.22 x 2.22 x 2.22 cm)

Factory Warranty

Parts & Labor

3 YR

Ice Maker

Parts

5 YR

Evaporator

5 YR

Compressor



Extend ice machine warranty 1 year by installing an IcePro 2500 with ice machine.

* Applies only to new ice machines, at the time of original installation & start-up.

Specifications

BTU Per Hour: 26,910

Refrigerant: R410A

- Ambient Temperature Range: 50° to 100°F (10° to 37°C)
- Ambient Temperature Range for remote condenser IRC-2000: -5° to 117°F (-20° to 47°C)
- Water Temperature Range: 50° to 90°F (10° to 32°C)
- Potable Water Pressure: Min. 20 psi (137.9 kPA) Max. 80 psi (551.1 kPA)
- Condenser Water Pressure: Min. 20 psi (1.38 bar) Max. 150 psi (10.34 bar)

Ice Machine Electric

208-230V/60Hz/1ph

Minimum circuit ampacity:

Air-cooled: 19.7 1ph
 Water-cooled: 19.7 1ph
 Remote: 19.7 1ph

Maximum fuse size:

Air-cooled: 30 1ph
 Water-cooled: 30 1ph
 Remote: 30 1ph

Accessories

Refrigeration Line Sets

IRT-20R410 20' line set
 IRT-35R410 35' line set
 IRT-50R410 50' line set



Remote Condenser

IRC-2000
 (sold separately for RC/RH models)



Bin-Stat Kit

IBO-150KIT
 Recommended when ice machine is installed on soda dispenser.



Water Filtration

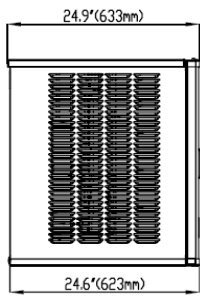
IcePro 2500
 Reduces sediment and chlorine contaminants with the use of Citrine.



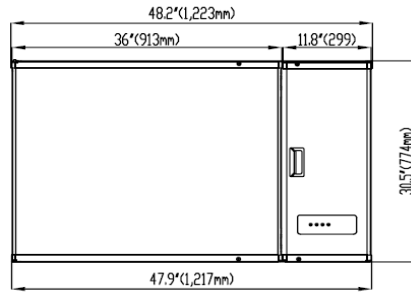


IM-2000 Ice Cube Machine

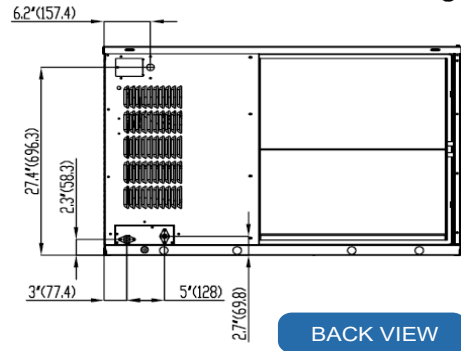
PLAN VIEW IM-2000-AC/AH (MACHINE HEAD)



SIDE VIEW

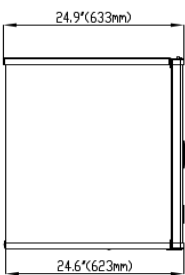


FRONT VIEW

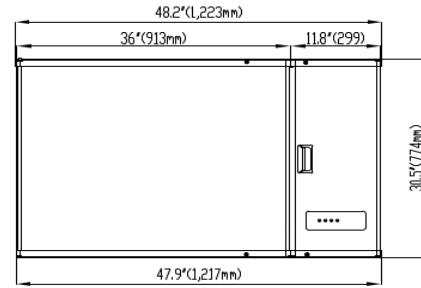


BACK VIEW

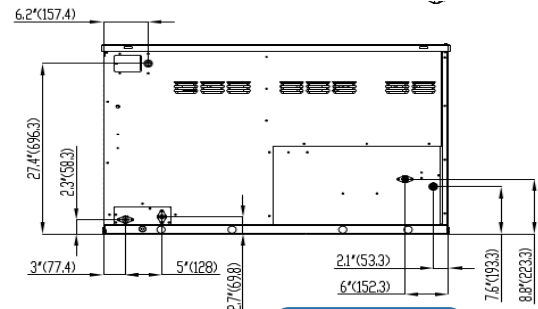
PLAN VIEW IM-2000-WC/WH (MACHINE HEAD)



SIDE VIEW



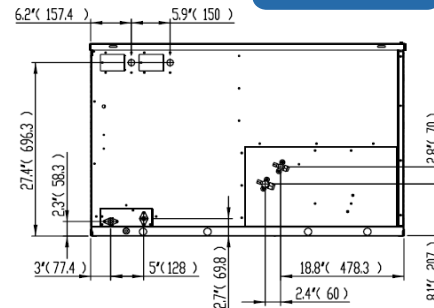
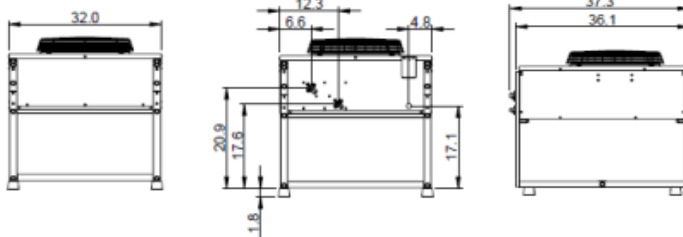
FRONT VIEW



BACK VIEW

PLAN VIEW IM-2000-RC/RH

(IRC-2000 condenser, back view [side and front same as AC/AH])



BACK VIEW

Specifications

Dimensions	Width	Depth	Height	Weight	
IM-1700 Machine	48"	24.5"	30.4"	322 lbs (Net)	366 lbs (Shipping)
IRC-2000 Condenser*	37.3"	32"	27.1"	143 lbs (Net)	195 lbs (Shipping)

	Model	Ice Shape	Ice Production 24 Hours		Power Usage kWh/100 lbs. @90°Air/70°F	Potable Water Usage/100 lbs. 45.4 kgs. of Ice
			70°Air/ 50°F Water	90°Air/ 70°F Water		
AIR COOLED	IM-2000-AC	cube	1 ph	1 ph	4.24	14 Gal.
			2032 lbs	1708 lbs		
	IM-2000-AH	half-cube	1 ph	1 ph	4.24	14 Gal.
			2032 lbs	1708 lbs		
WATER COOLED	IM-2000-WC	cube	1 ph	1 ph	3.51	14 Gal.
			2006 lbs	1821 lbs		
	IM-2000-WH	half-cube	1 ph	1 ph	3.51	14 Gal.
			2006 lbs	1821 lbs		
<i>IRC-2000 condenser ordered separately for remote-cooled units</i>						
REMOTE COOLED	IM-2000-RC	cube	1 ph	1 ph	4.04	14 gal
			1980 lbs	1730 lbs		
	IM-2000-RH	half-cube	1 ph	1 ph	4.04	14 gal
			1980 lbs	1730 lbs		

